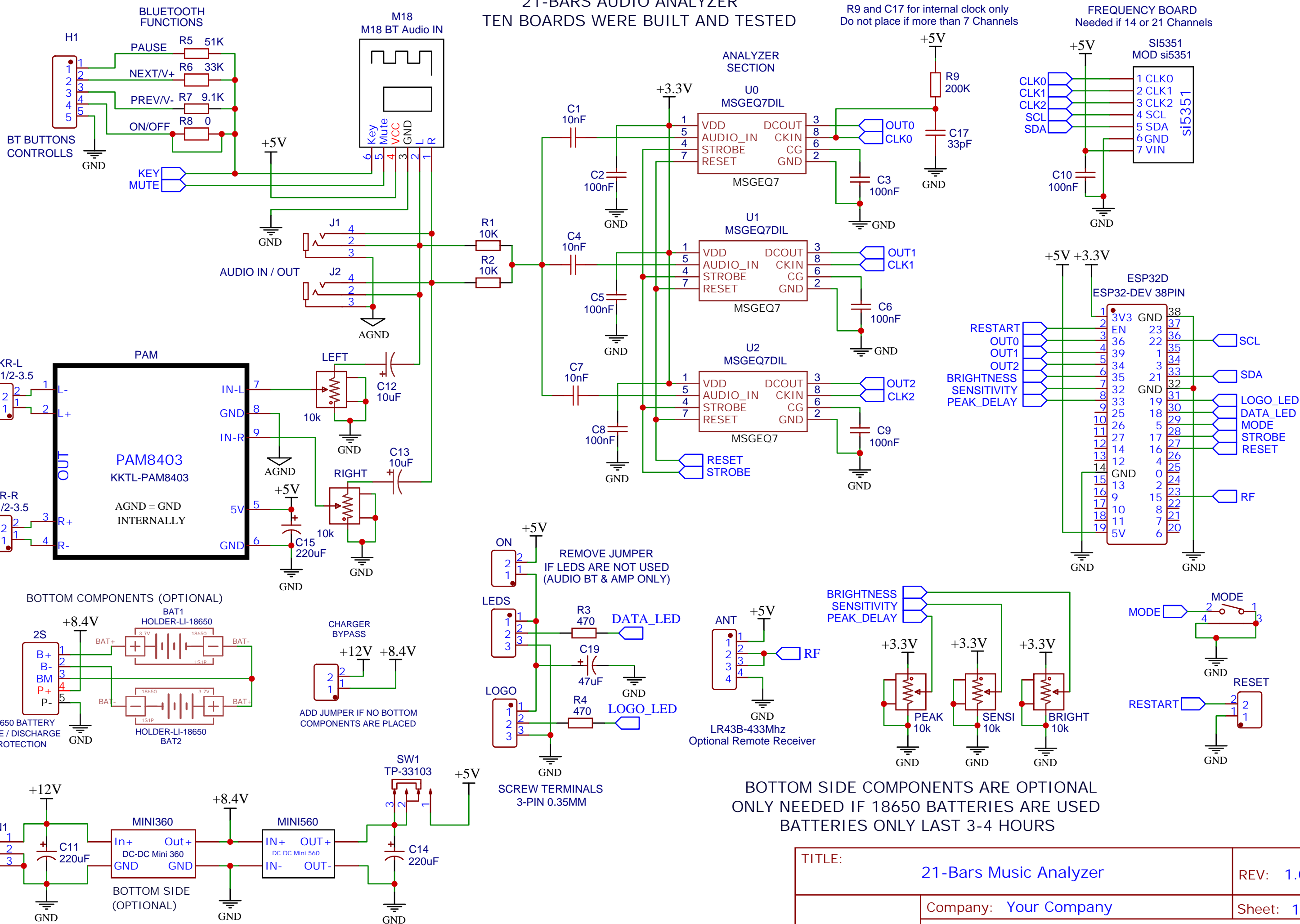


# 21-BARS AUDIO ANALYZER

TEN BOARDS WERE BUILT AND TESTED

R9 and C17 for internal clock only  
Do not place if more than 7 Channels

FREQUENCY BOARD  
Needed if 14 or 21 Channels



BOTTOM SIDE COMPONENTS ARE OPTIONAL  
ONLY NEEDED IF 18650 BATTERIES ARE USED  
BATTERIES ONLY LAST 3-4 HOURS

TITLE:	21-Bars Music Analyzer	REV: 1.0
	Company: Your Company	Sheet: 1/1
	Date: 2022-11-21	Drawn By: samm928